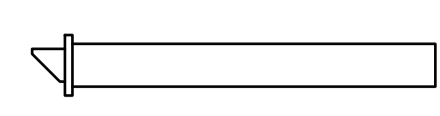
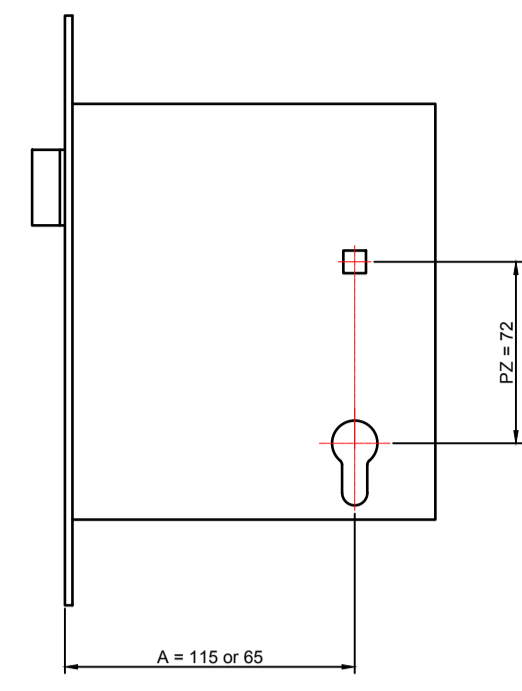


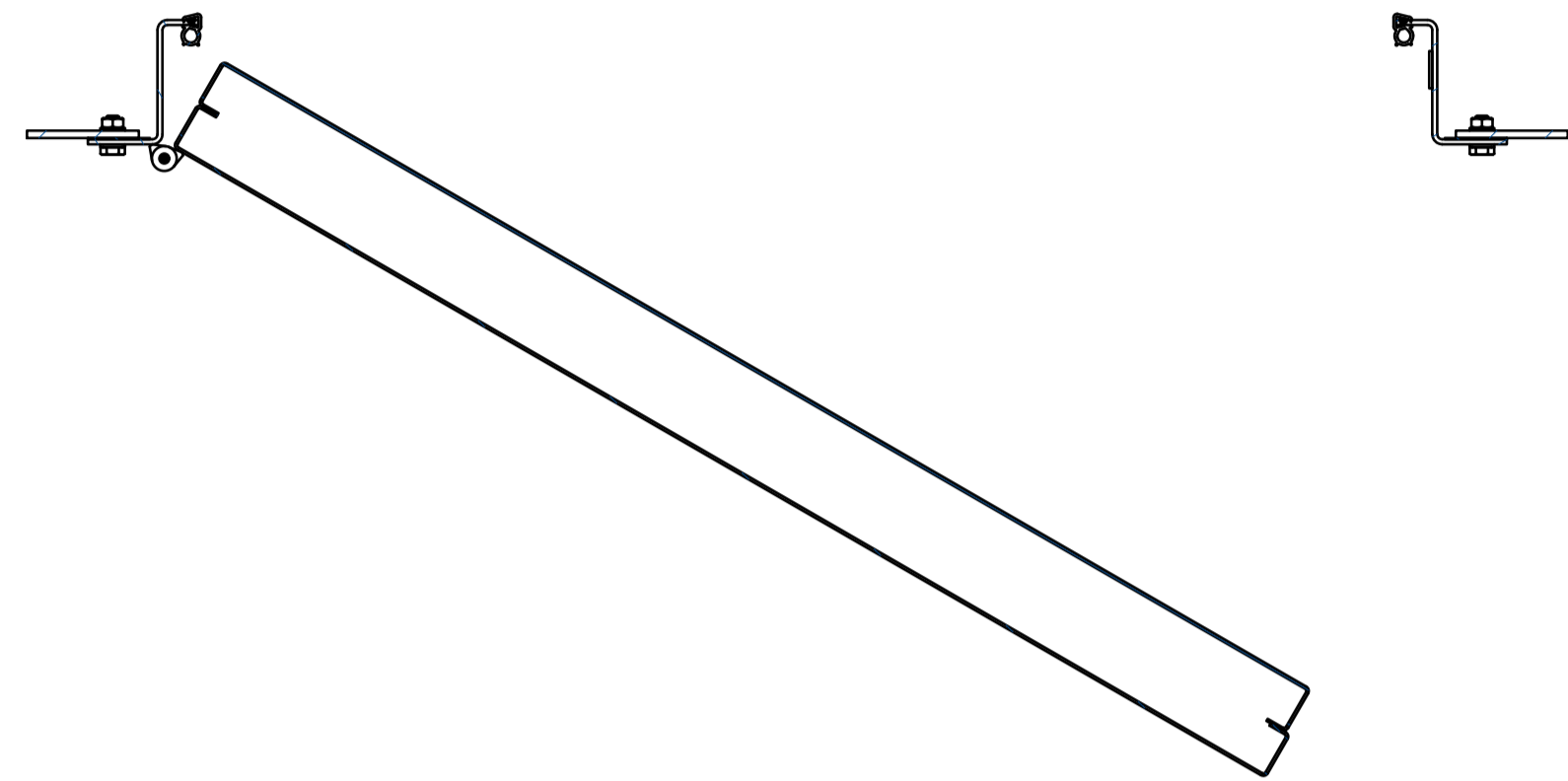
Lock - Right Hinged



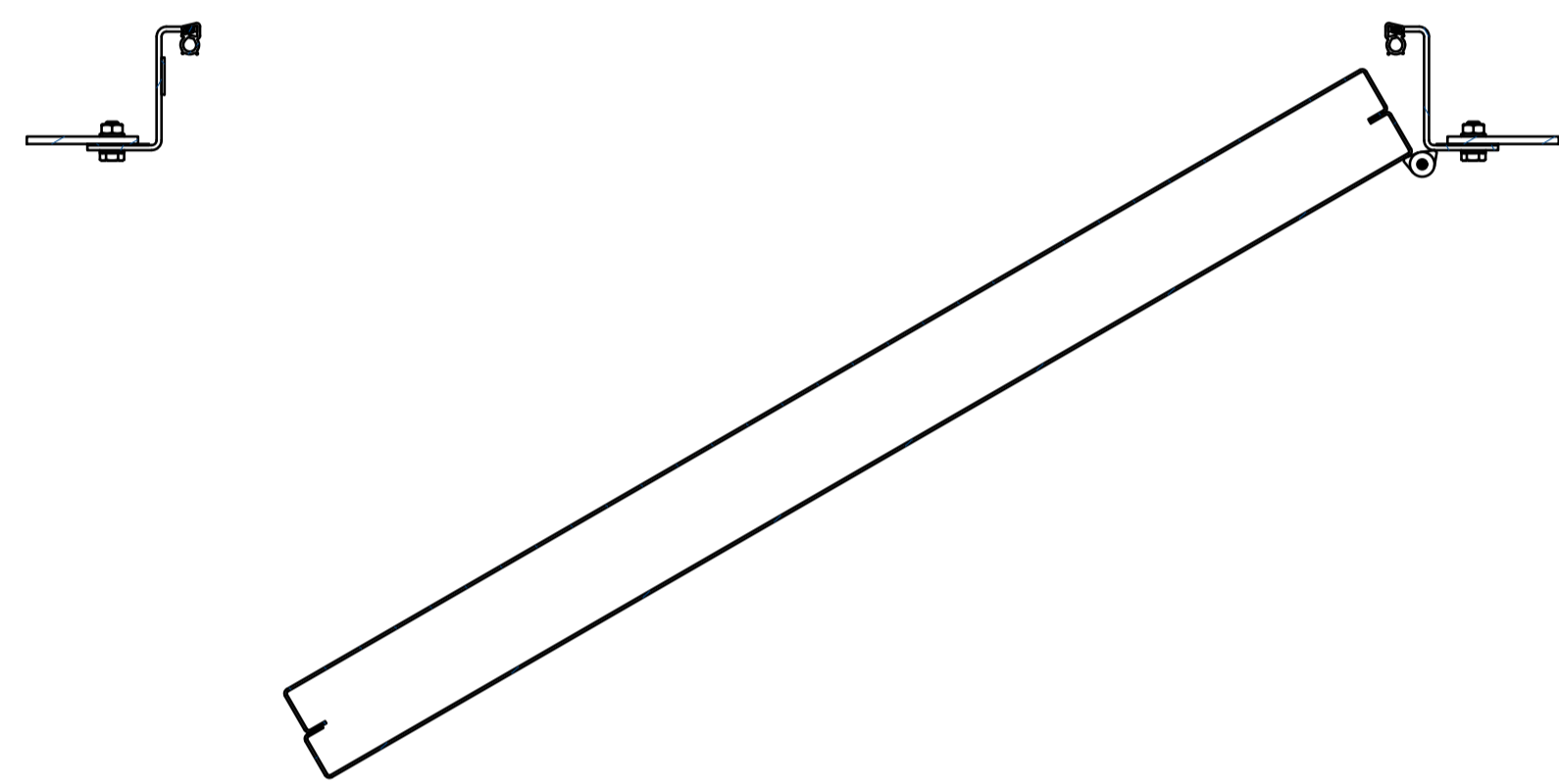
Lock - Left Hinged



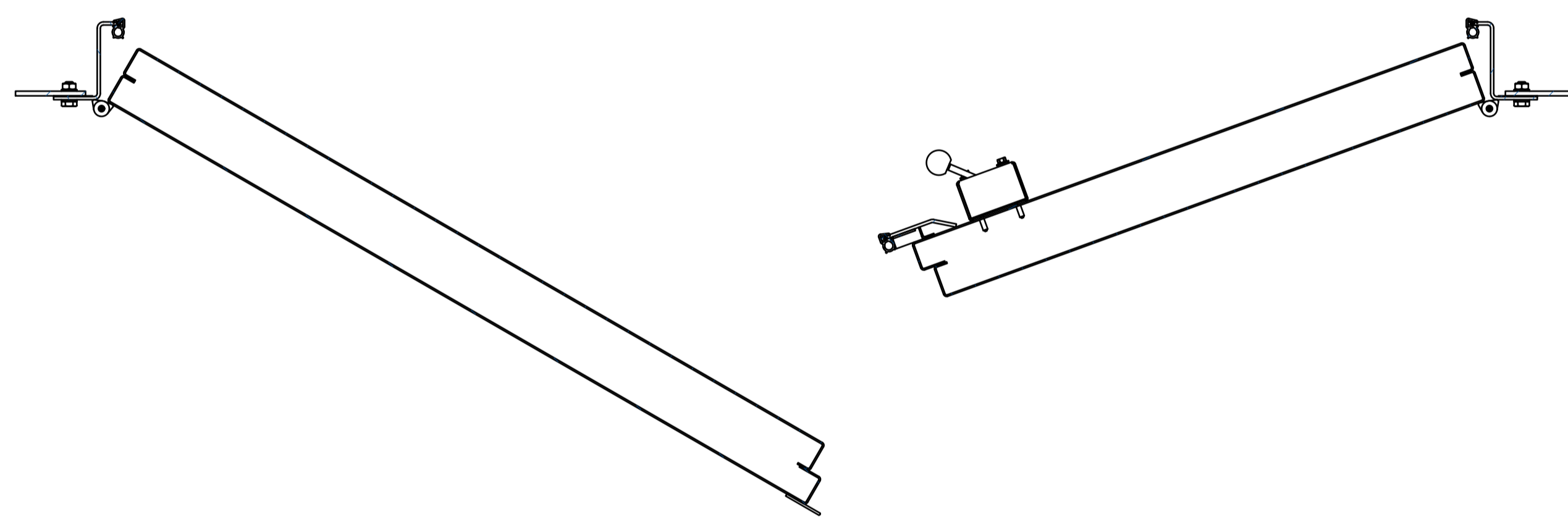
Lock - Measurements



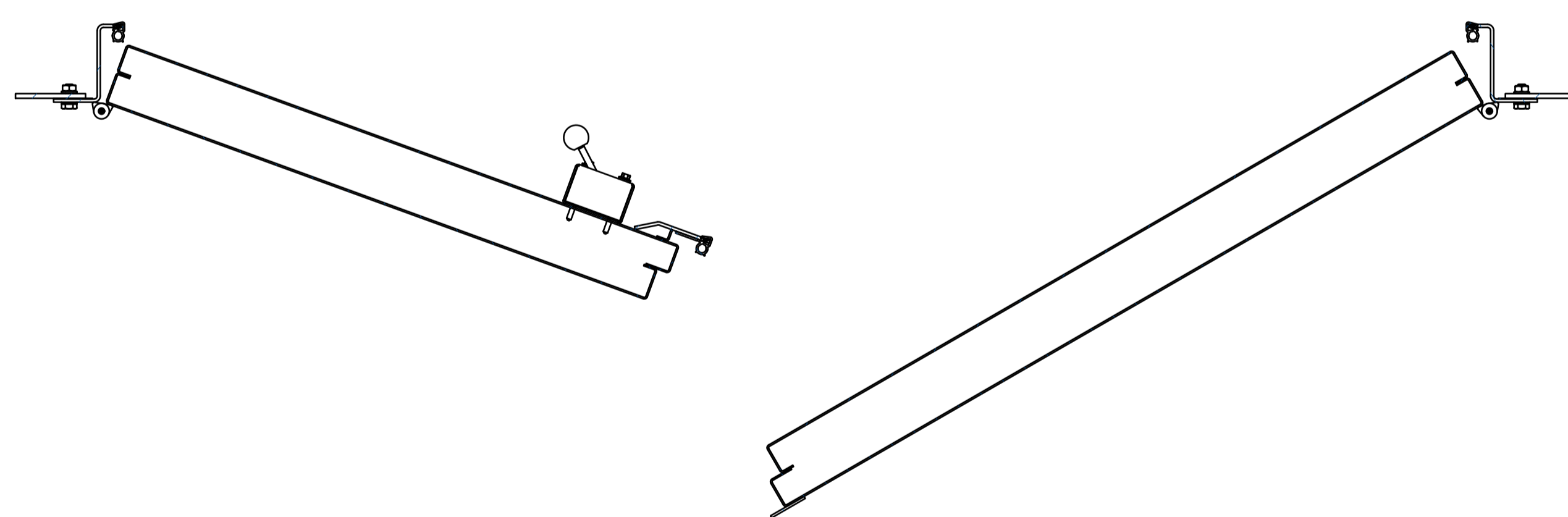
Gadam 1 - Left Hinged



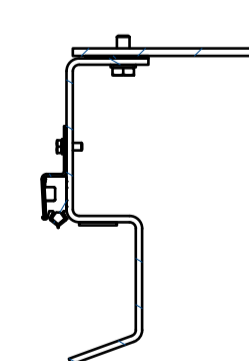
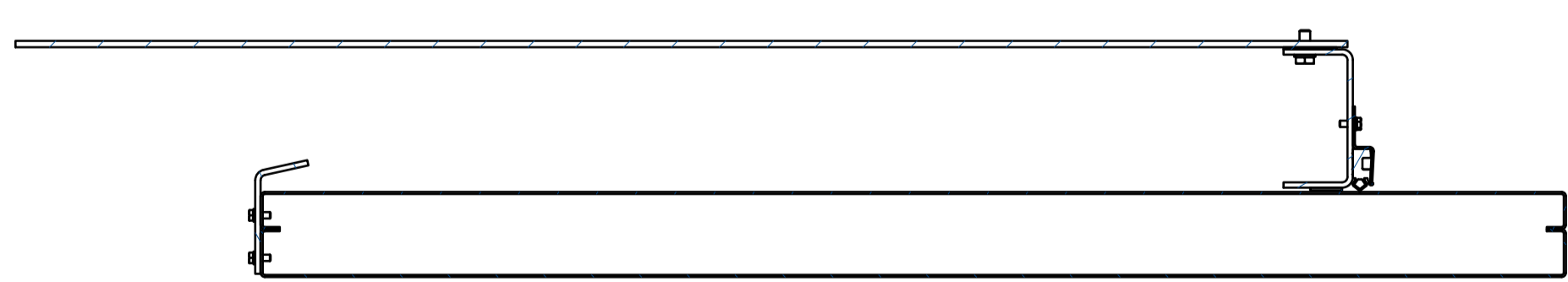
Gadam 1 - Right Hinged



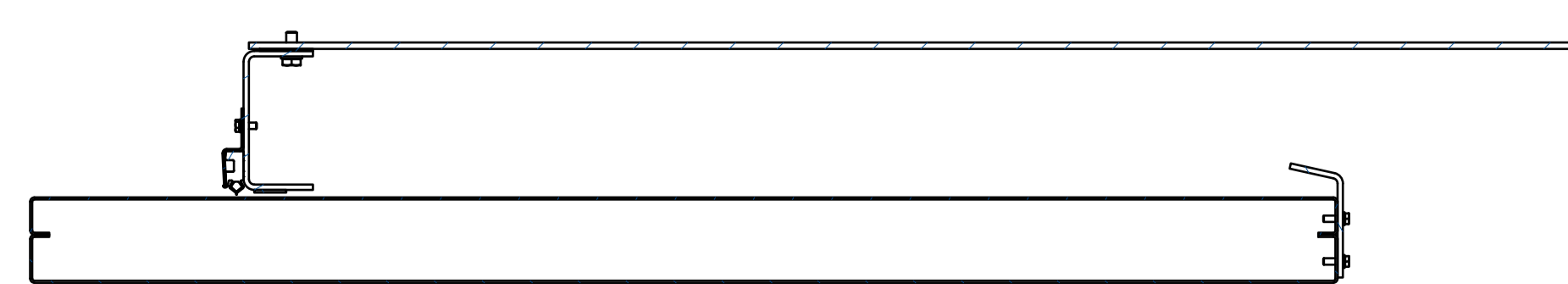
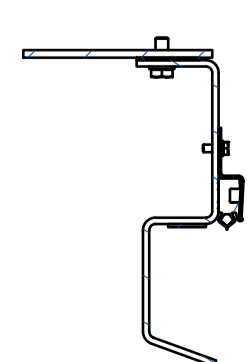
Gadam 2 - Leading Left



Gadam 2 - Leading Right



Gadam 3 - Left Sliding



Gadam 3 - Right Sliding